

1 2 3 4 5 6

A

B

C

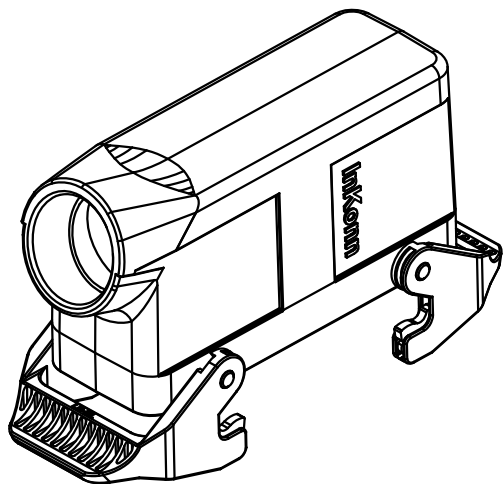
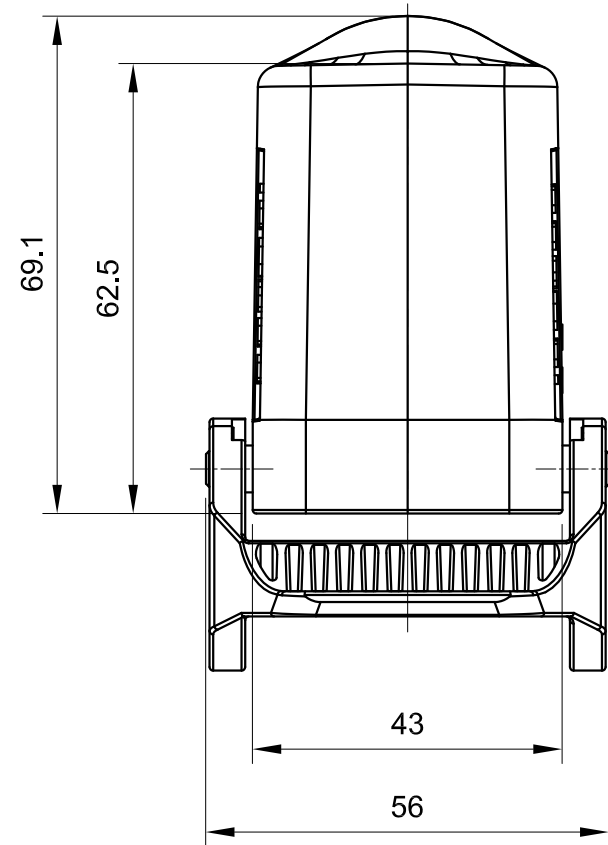
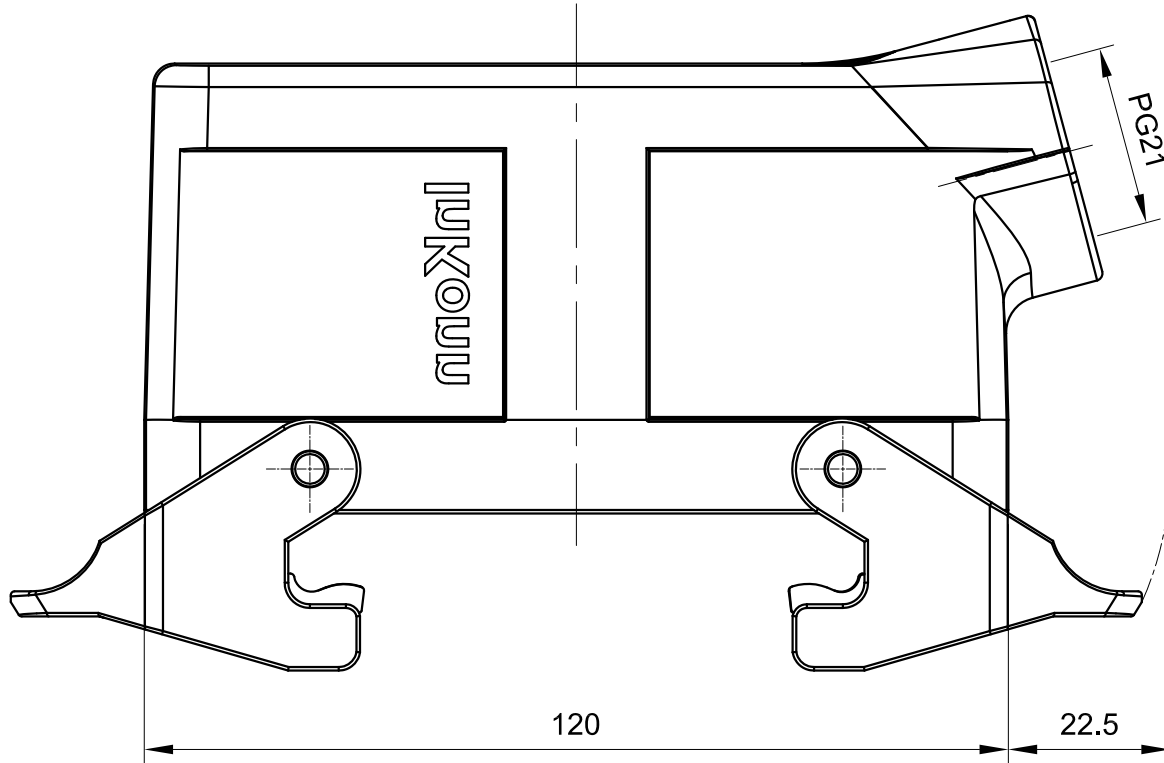
D



A

B

C

D



 All Dimensions in mm Original Size DIN A4	Date 2019-05-12	Drawing No. TC2517321	Rev. A00	Scale 1:1
	 InKonn® InKonn (Suzhou) Electric Technology Co.,Ltd.	Part No. 10 11 824 0123	Created by Shuxu Huang	Checked by Yiyi Luo
Type Name HB24-SE-DL-PG21				

1 2 3 4 5 6